

## Schottky Barrier Diode

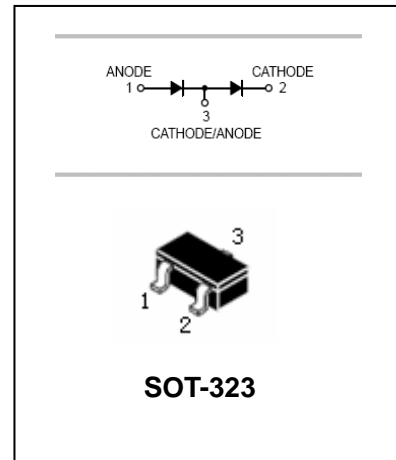
## 1SS372

### FEATURES

- Small surface mounting type.
- Small package.
- Low forward voltage:  $V_F=0.23V(\text{typ})$ .



Lead-free



### APPLICATIONS

- For general purpose applications.

### ORDERING INFORMATION

Type No.	Marking	Package Code
1SS372	N9	SOT-323

### MAXIMUM RATING @ $T_a=25^\circ\text{C}$ unless otherwise specified

Parameter	Symbol	Limits	Unit
Non-Repetitive Peak reverse voltage	$V_{RM}$	15	V
Diode reverse voltage	$V_R$	10	V
Forward continuous Current	$I_F$	200	mA
Forward Surge Current (10ms)	$I_{FSM}$	1	A
Power Dissipation	$P_d$	100	mW
Junction temperature	$T_j$	125	$^\circ\text{C}$
Storage temperature range	$T_{stg}$	-55-+125	$^\circ\text{C}$

### ELECTRICAL CHARACTERISTICS @ $T_a=25^\circ\text{C}$ unless otherwise specified

Parameter	Symbol	Test conditions	MIN	Typ.	MAX	UNIT
Reverse current	$I_R$	$V_R=10V$			20	$\mu\text{A}$
Forward voltage	$V_F$	$I_F=1\text{mA}$ $I_F=5\text{mA}$ $I_F=100\text{mA}$		0.18 0.3	0.5	V
Diode capacitance	$C_D$	$V_R=0V, f=1\text{MHz}$			40	pF

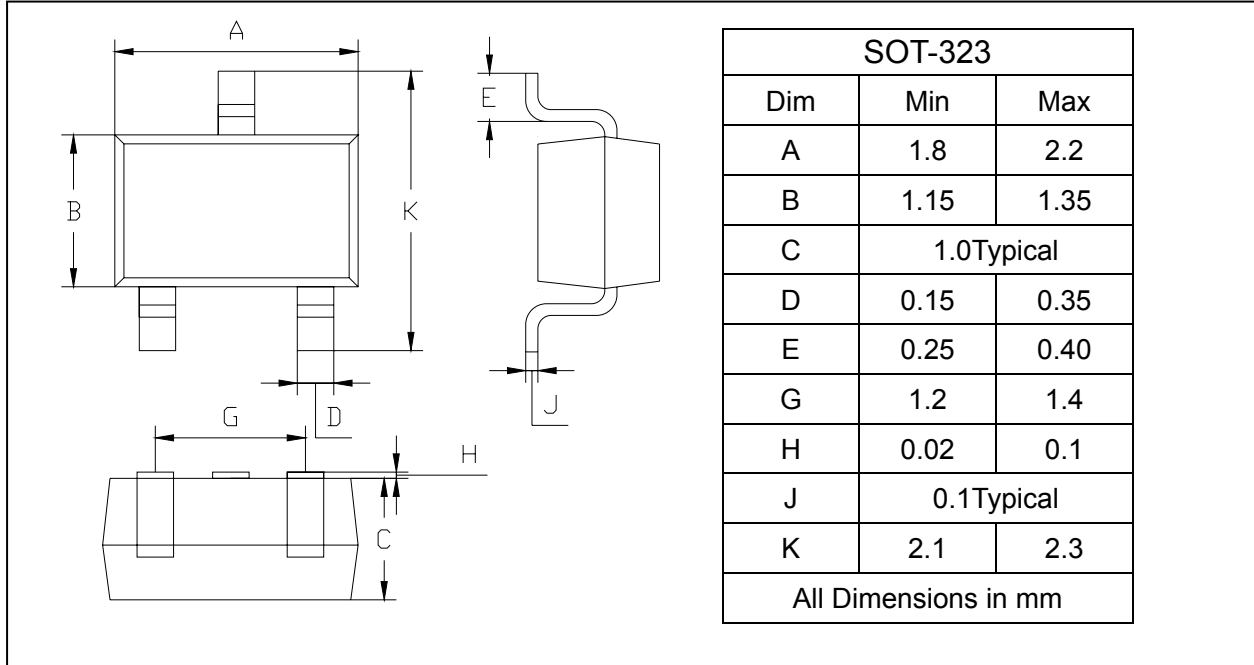
## Schottky Barrier Diode

## 1SS372

### PACKAGE OUTLINE

Plastic surface mounted package

SOT-323



### PACKAGE INFORMATION

Device	Package	Shipping
1SS372	SOT-323	3000/Tape&Reel